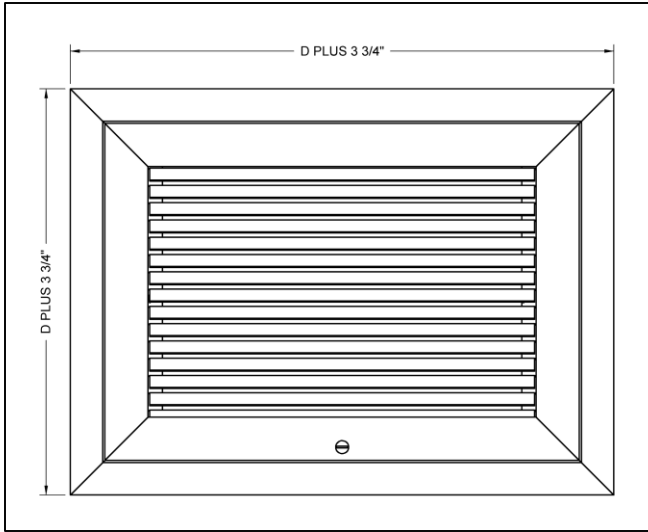
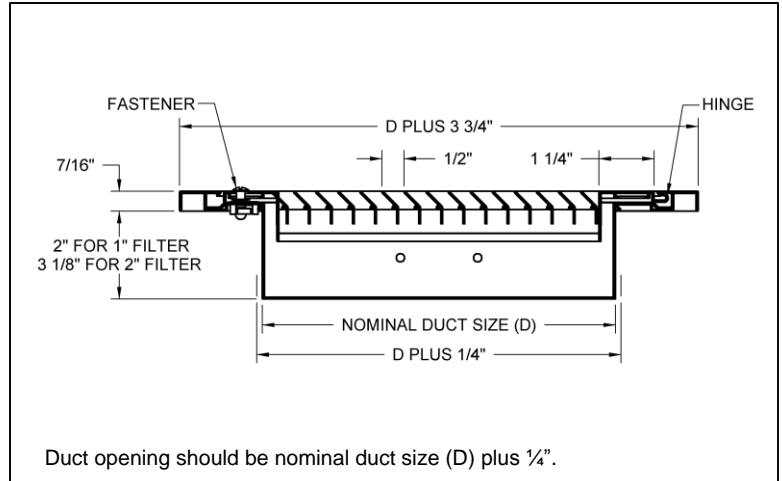


## Louver Return Filter Grilles • AeroBlade Series • Aluminum

**Models:** 4FFL • 45° Deflection • Long Blades • 1/2" Spacing  
 4FFS • 45° Deflection • Short Blades • 1/2" Spacing



Face View:  
 Border Type 1 (Surface Mount) & Border Type 3 (Lay-in T-Bar)



Side Cross-Sectional View:  
 Border Type 1 (Surface Mount) & Border Type 3 (Lay-in T-Bar)

Duct opening should be nominal duct size (D) plus 1/4".

**Hinge Location Options:**

- Hinged Top
- Hinged Left
- Hinged Right
- Hinged Bottom
- No Hinge

**Finish Options:**

- Standard Finish: #26 White
- Other Finish: \_\_\_\_\_

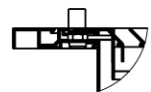
**Fastening Options:**

- Quarter-Turn Fastener (standard)
- Knurled Knob (optional)

1/4 TURN FASTENER



KNURLED KNOB



**Available Sizes:** 6" x 6" to 48" x 36" in one-inch increments. Fractional and oversize filter grilles are not available.  
 Maximum size for border type 3 is module size minus 4".

All dimensions are in inches.

**General Description**

- Series 4FF filter grilles feature louvers spaced 1/2" apart.
- Blade deflection angle is 45°.
- All dimensions are ± 1/16".
- 4FF models are available in common filter sizes. 1" thick filters may be purchased from hardware stores for the most common sizes.
- Quarter turn fasteners are standard to make filter access easy.
- Filters by others
- Knurled knob fastener available as option
- Dimensions are the same for border type 1 (surface mount) and border type 3 (lay-in T-bar)

This submittal is meant to demonstrate general dimensions of this product. The drawings are not meant to detail every aspect of the product. Drawings are not to scale. Titus reserves the right to make changes without written notice.